

GLH-CS-F2

QUICK CLOSING VALVE (F7399-10K-A-CS)

Valveco®

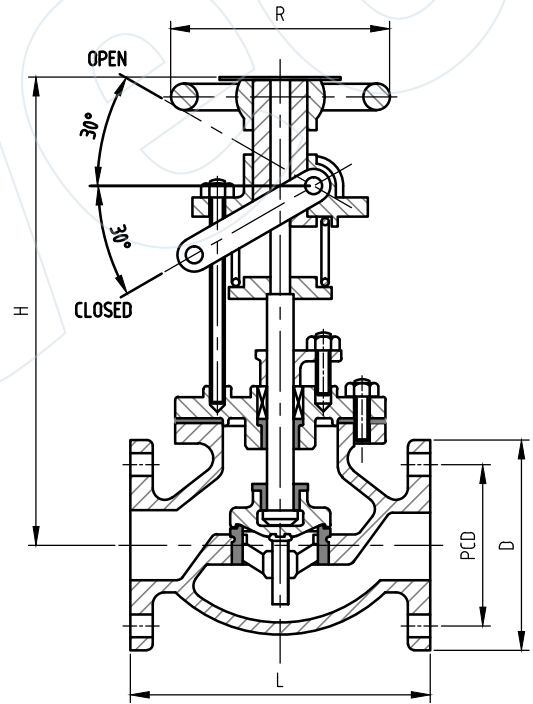
straight pattern, pneumatic / manual operator, cast steel body, stainless steel trim, 10k, flanged

Technical Features

Design	JIS F7399
Class	10K
Face-to-Face Design	JIS F7399
Inlet Design	Flanged (JIS B 2210)
Outlet Design	Flanged (JIS B 2210)
Operator	Handwheel

Dimensions

DN	Length	PCD	Holes	Holes Dia	Weight
(MM)	(L)	(MM)	(#)	(MM)	(kg)
50	220	120	4	19 (M16)	20.9
65	270	140	4	19 (M16)	33
80	300	150	8	19 (M16)	35
100	350	175	8	19 (M16)	60
125	420	210	8	23 (M20)	75
150	490	240	8	23 (M20)	122
200	570	290	12	23 (M20)	168



Materials

Body / Bonnet	Cast Steel (JIS G 5101)
Stem	Stainless Steel (AISI 316)
Disc	Stainless Steel (AISI 316)
Gasket	Graphite
Operator Material	Cast Iron (JIS G 5501)

All the product information presented on these pages is only indicative and is provided subject to typographical errors, changes and deviations. The buyer cannot derive any rights from this information. The seller excludes any liability for damage resulting from the use of this information.