

# GLO-CS-F6

GLOBE VALVE (F7317)

Valveco®

straight pattern, stop type, bolted cover, cast steel body, stainless steel trim, 40k, flanged

## Technical Features

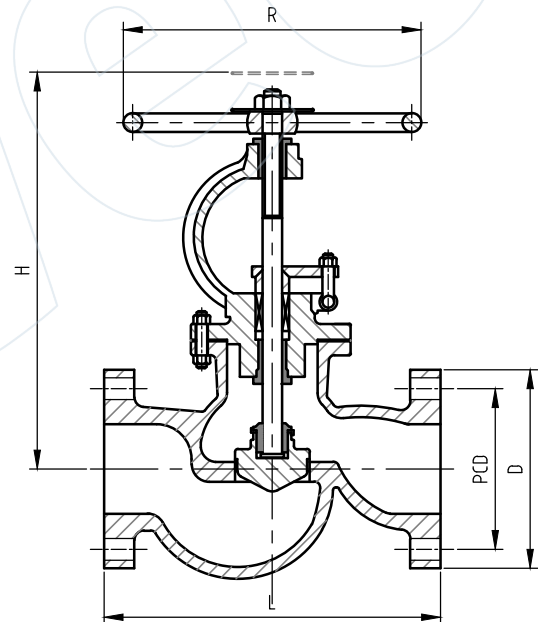
Design	JIS F 7317
Class	40K
Face-to-Face Design	JIS F 7317
Inlet Design	Flanged (JIS B 2210)
Outlet Design	Flanged (JIS B 2210)
Operator	Handwheel

## Options

- Available with Lloyds Register of Shipping Class Certificate

## Dimensions

DN	Length	PCD	Holes	Holes Dia	Weight
(MM)	(MM)	(MM)	(#)	(MM)	(kg)
32	229	105	4	19 (M16)	26
40	241	120	4	23 (M20)	31
50	292	130	8	19 (M16)	41
65	330	160	8	23 (M20)	62.3
80	356	170	8	23 (M20)	79
100	432	205	8	25 (M22)	140
125	508	250	8	27 (M24)	197
150	559	295	12	33 (M30)	298



## Materials

Body / Bonnet	Cast Steel (JIS G 5101)
Stem	Stainless Steel
Disc	Stainless Steel
Gasket	Graphite
Operator Material	Steel

All the product information presented on these pages is only indicative and is provided subject to typographical errors, changes and deviations. The buyer cannot derive any rights from this information. The seller excludes any liability for damage resulting from the use of this information.