

GLO-DS-F3

GLOBE VALVE (F7323)

Valveco®

straight pattern, stop type, union bonnet, malleable iron body, stainless steel trim, 16k, flanged

Technical Features

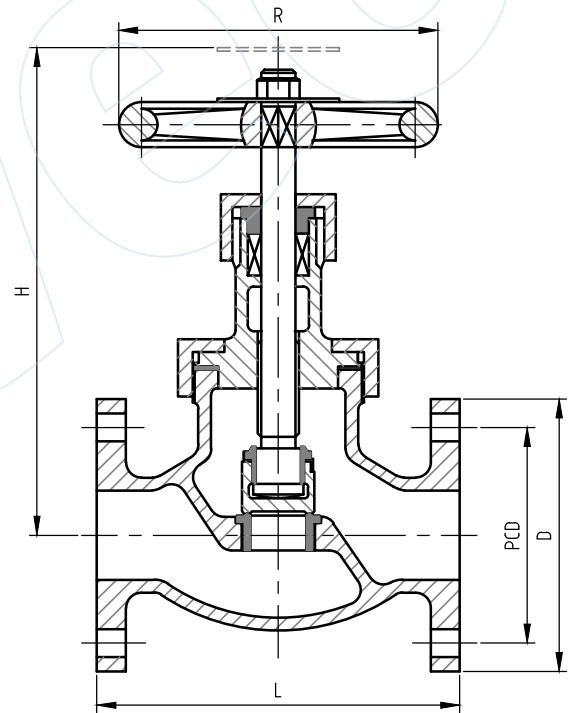
Design	JIS F 7323
Class	16K
Face-to-Face Design	JIS F 7323
Inlet Design	Flanged (JIS B 2210)
Outlet Design	Flanged (JIS B 2210)
Operator	Handwheel

Options

- Available with Lloyds Register of Shipping Class Certificate

Dimensions

DN (MM)	Length (MM)	PCD (MM)	Holes (#)	Holes Dia (MM)	Weight (kg)
15	110	70	4	15 (M12)	3
20	120	75	4	15 (M12)	4
25	130	90	4	19 (M16)	6
32	160	100	4	19 (M16)	7
40	180	105	4	19 (M16)	10



Materials

Body / Bonnet	Nodular Cast Iron (JIS G 5502)
Stem	Stainless Steel
Disc	Stainless Steel
Gasket	Graphite
Operator Material	Cast Iron (JIS G 5501)

All the product information presented on these pages is only indicative and is provided subject to typographical errors, changes and deviations. The buyer cannot derive any rights from this information. The seller excludes any liability for damage resulting from the use of this information.