

GLO-IS-F2

GLOBE VALVE (F7307-SS)

Valveco®

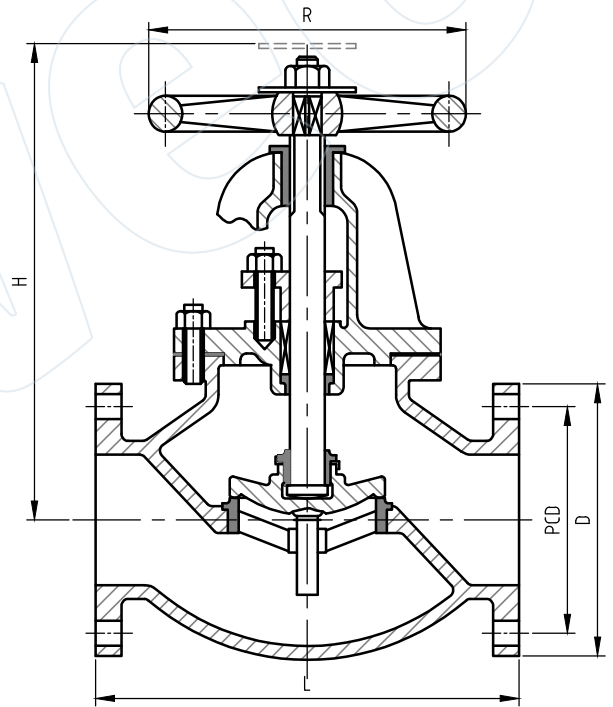
straight pattern, stop type, bolted bonnet, cast iron body, stainless steel trim, 10k, flanged

Technical Features

Design	JIS F 7307
Class	10K
Face-to-Face Design	JIS F 7307
Inlet Design	Flanged (JIS B 2210)
Outlet Design	Flanged (JIS B 2210)
Operator	Handwheel

Dimensions

DN (MM)	Length (MM)	PCD (MM)	Holes (#)	Holes Dia (MM)	Weight (kg)
50	220	120	4	19 (M16)	20
65	270	140	4	19 (M16)	29
80	300	150	8	19 (M16)	33
100	350	175	8	19 (M16)	49
125	420	210	8	23 (M20)	73
150	490	240	8	23 (M20)	104
200	570	290	12	23 (M20)	162
250	740	355	12	25 (M22)	305
300	840	400	16	25 (M22)	458



Materials

Body / Bonnet	Cast Iron (JIS G 5501)
Stem	Stainless Steel
Disc	Stainless Steel
Gasket	Graphite
Operator Material	Cast Iron (JIS G 5501)

All the product information presented on these pages is only indicative and is provided subject to typographical errors, changes and deviations. The buyer cannot derive any rights from this information. The seller excludes any liability for damage resulting from (the use of) this information.