

GLS-CS-F1

GLOBE VALVE (F7311-SDNR)

Valveco®

straight pattern, screw down non return type, bolted bonnet, cast steel, stainless steel trim, 5k, flanged

Technical Features

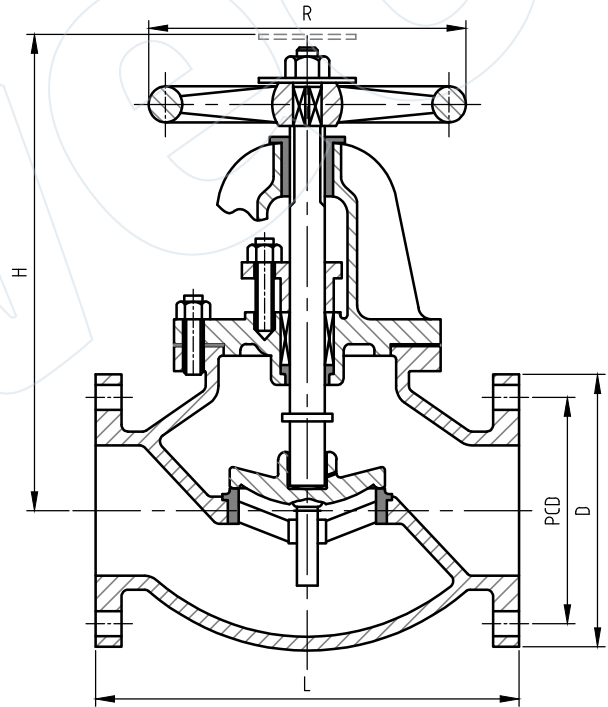
Design	JIS F 7311
Class	5K
Face-to-Face Design	JIS F 7311
Inlet Design	Flanged (JIS B 2210)
Outlet Design	Flanged (JIS B 2210)
Operator	Handwheel

Options

- Available with Lloyds Register of Shipping Class Certificate

Dimensions

DN	Length	PCD	Holes	Holes Dia	Weight
(MM)	(MM)	(MM)	(#)	(MM)	(kg)
50	210	105	4	15 (M12)	17
65	250	130	4	15 (M12)	24
80	280	145	4	19 (M16)	30
100	340	165	8	19 (M16)	45
125	410	200	8	19 (M16)	65
150	480	230	8	19 (M16)	88
200	570	280	8	23 (M20)	160
250	740	345	12	23 (M20)	285



Materials

Body / Bonnet	Cast Steel (JIS G 5101)
Stem	Stainless Steel
Disc	Stainless Steel
Gasket	Graphite
Operator Material	Cast Iron (JIS G 5501)

All the product information presented on these pages is only indicative and is provided subject to typographical errors, changes and deviations. The buyer cannot derive any rights from this information. The seller excludes any liability for damage resulting from (the use of) this information.