

# GLS-CS-F2

## GLOBE VALVE (F7471)

Valveco®

straight pattern, screw down non return, bolted bonnet, cast steel body, stainless steel trim, 10k, flanged

### Technical Features

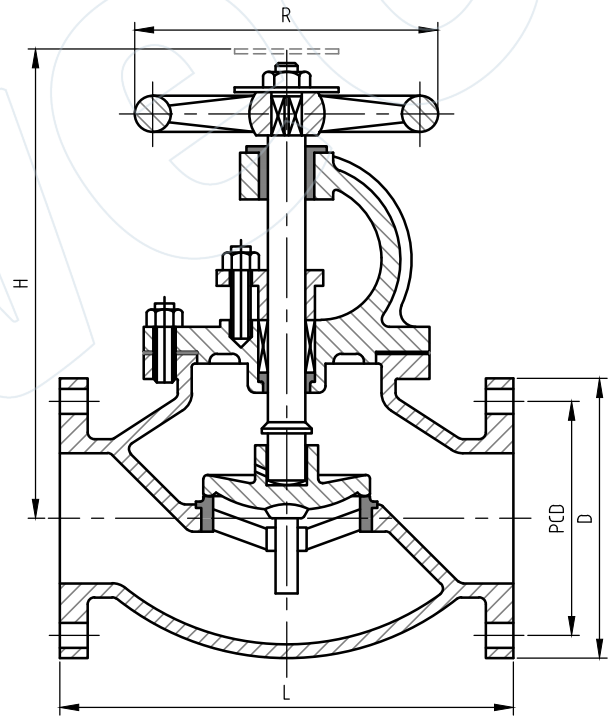
Design	JIS F 7471
Class	10K
Face-to-Face Design	JIS F 7471
Inlet Design	Flanged (JIS B 2210)
Outlet Design	Flanged (JIS B 2210)
Operator	Handwheel

### Options

- Available with Lloyds Register of Shipping Class Certificate

### Dimensions

DN (MM)	Length (MM)	PCD (MM)	Holes (#)	Holes Dia (MM)	Weight (kg)
50	220	120	4	19 (M16)	18
65	270	140	4	19 (M16)	26
80	300	150	8	19 (M16)	30
100	350	175	8	19 (M16)	45
125	420	210	8	23 (M20)	71
150	490	240	8	23 (M20)	97
200	570	290	12	23 (M20)	158
250	740	355	12	25 (M22)	257
300	840	400	16	25 (M22)	370



### Materials

Body / Bonnet	Cast Steel (JIS G 5101)
Stem	Stainless Steel
Disc	Stainless Steel
Gasket	Graphite
Operator Material	Cast Iron (JIS G 5501)

All the product information presented on these pages is only indicative and is provided subject to typographical errors, changes and deviations. The buyer cannot derive any rights from this information. The seller excludes any liability for damage resulting from the use of this information.