

GLS-IS-F3

GLOBE VALVE (F7377-SS)

Valveco®

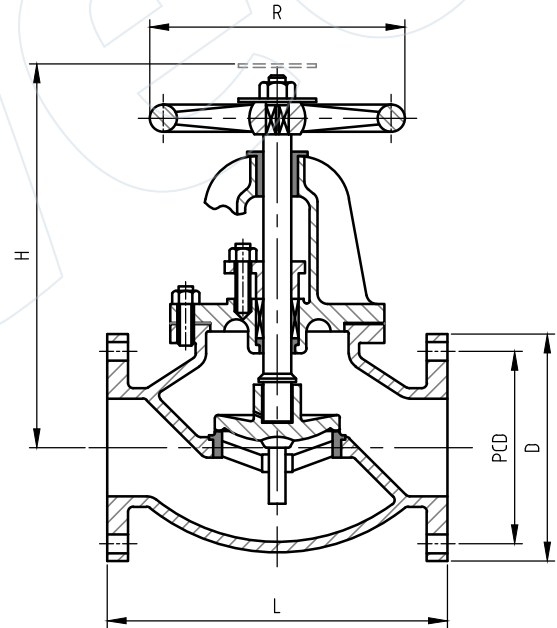
straight pattern, screw down non return, bolted cover, cast iron body, stainless steel trim, 16k, flanged

Technical Features

Design	JIS F 7377
Class	16K
Face-to-Face Design	JIS F 7377
Inlet Design	Flanged (JIS B 2210)
Outlet Design	Flanged (JIS B 2210)
Operator	Handwheel

Dimensions

DN	Length	PCD	Holes	Holes Dia	Weight
(MM)	(MM)	(MM)	(#)	(MM)	(kg)
50	220	120	8	19 (M16)	20
65	270	140	8	19 (M16)	29
80	300	160	8	23 (M20)	41
100	350	185	8	23 (M20)	57
125	430	225	8	25 (M22)	90
150	500	260	12	25 (M22)	123
200	570	305	12	25 (M22)	150



Materials

Body / Bonnet	Cast Iron (JIS G 5501)
Stem	Stainless Steel
Disc	Stainless Steel
Gasket	Graphite
Operator Material	Cast Iron (JIS G 5501)

All the product information presented on these pages is only indicative and is provided subject to typographical errors, changes and deviations. The buyer cannot derive any rights from this information. The seller excludes any liability for damage resulting from the use of this information.