

# GLS-SS-F1

GLOBE VALVE (F7351-SS)

Valveco®

straight pattern, screw down non return, secured bonnet, stainless steel body and trim, 5k, flanged

## Technical Features

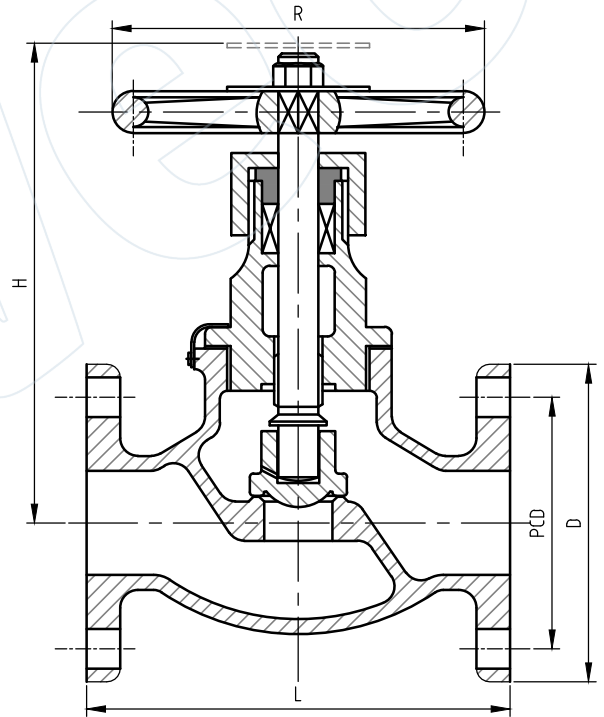
Design	JIS F 7351
Class	5K
Face-to-Face Design	JIS F 7351
Inlet Design	Flanged (JIS B 2240)
Outlet Design	Flanged (JIS B 2240)
Operator	Handwheel

## Options

- Other materials and nominal sizes on request

## Dimensions

DN	Length	PCD	Holes	Holes Dia	Weight
(MM)	(MM)	(MM)	(#)	(MM)	(kg)
15	100	60	4	12 (M10)	2
20	110	65	4	12 (M10)	3
25	120	75	4	12 (M10)	4
32	140	90	4	15 (M12)	5
40	160	95	4	15 (M12)	6
50	210	105	4	15 (M12)	9



## Materials

Body / Bonnet	Stainless Steel (CF8M)
Stem	Stainless Steel (AISI 316L)
Disc	Stainless Steel (AISI 316L)
Gasket	Graphite
Operator Material	Cast Iron (JIS G 5501)

All the product information presented on these pages is only indicative and is provided subject to typographical errors, changes and deviations. The buyer cannot derive any rights from this information. The seller excludes any liability for damage resulting from the use of this information.