

GLS-SS-F3

GLOBE VALVE (F7409-SS)

Valveco®

straight pattern, screw down non return, secured bonnet, stainless steel body and trim, 16k, flanged

Technical Features

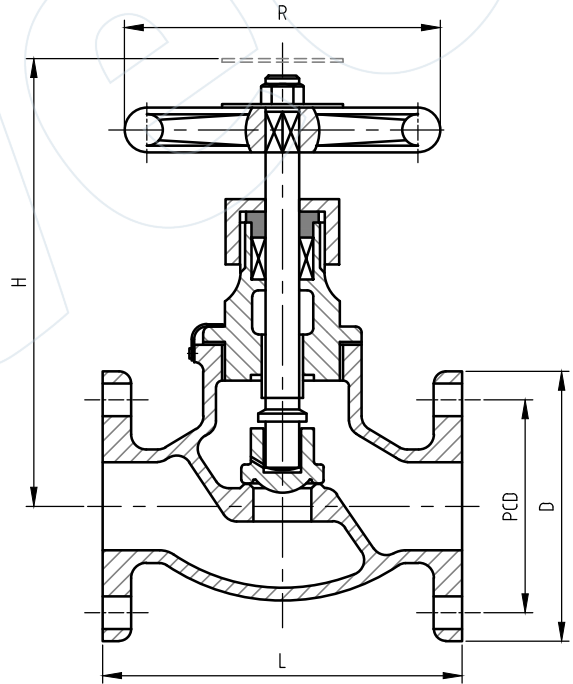
Design	JIS F 7409
Class	16K
Face-to-Face Design	JIS F 7409
Inlet Design	Flanged (JIS B 2240)
Outlet Design	Flanged (JIS B 2240)
Operator	Handwheel

Options

- Other materials and nominal sizes on request

Dimensions

DN (MM)	Length (MM)	PCD (MM)	Holes (#)	Holes Dia (MM)	Weight (kg)
15	110	70	4	15 (M12)	3
20	120	75	4	15 (M12)	4
25	130	90	4	19 (M16)	5
32	160	100	4	19 (M16)	7
40	180	105	4	19 (M16)	9
50	220	120	8	19 (M16)	16



Materials

Body / Bonnet	Stainless Steel (CF8M)
Stem	Stainless Steel (AISI 316L)
Disc	Stainless Steel (AISI 316L)
Gasket	Graphite
Operator Material	Cast Iron (JIS G 5501)

All the product information presented on these pages is only indicative and is provided subject to typographical errors, changes and deviations. The buyer cannot derive any rights from this information. The seller excludes any liability for damage resulting from the use of this information.