

HOA-IB-F2

HOSE VALVE (F7333-A10K)

Valveco®

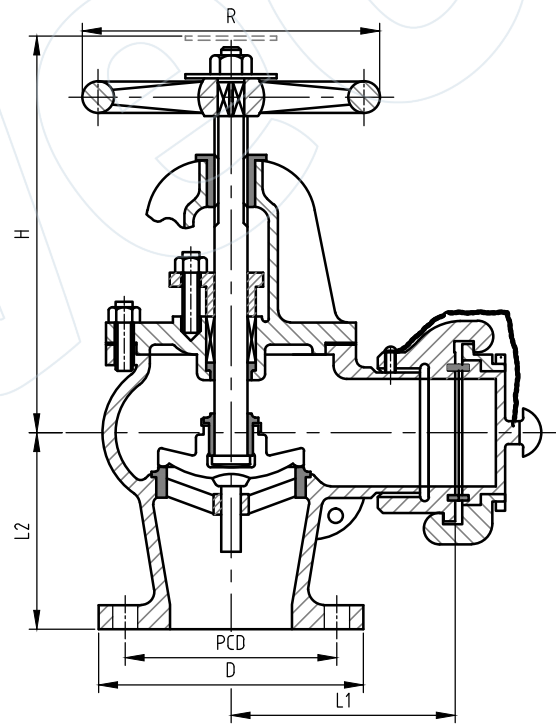
hose valve, angle pattern, with nakajima coupling outlet, cast iron body, bronze trim, 10k, inlet flanged

Technical Features

Design	JIS F 7333-A-10K
Face-to-Face Design	JIS F 7333-A-10K
Class	10K
Inlet Design	Flanged (JIS B 2210)
Outlet Design	Nakajima
Operator	Handwheel

Dimensions

DN	PCD	Holes	Holes Dia	Weight
(MM)	(MM)	(#)	(MM)	(kg)
50	120	4	19 (M16)	17
65	140	4	19 (M16)	24



Materials

Body / Bonnet	Cast Iron (JIS G 5501)
Stem	Brass (JIS H 3250)
Disc	Bronze (JIS H 5111)
Gasket	Graphite
Operator Material	Cast Iron (JIS G 5501)

All the product information presented on these pages is only indicative and is provided subject to typographical errors, changes and deviations. The buyer cannot derive any rights from this information. The seller excludes any liability for damage resulting from the use of this information.