

HOG-BC-F1

HOSE VALVE (F7334-V5K)

Valveco®

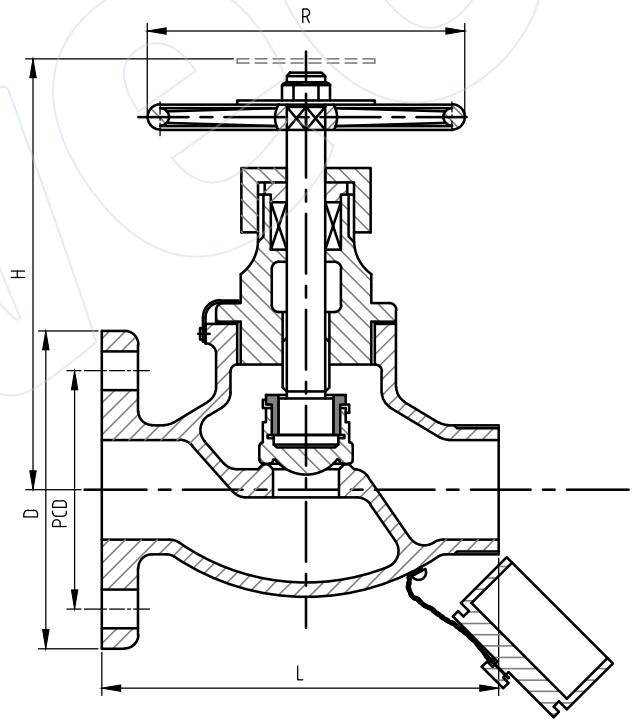
vertical pattern, bronze body, bronze trim, 5k, inlet flanged, outlet M42x2 complete with end cap and chain

Technical Features

Design	JIS F 7334
Face-to-Face Design	JIS F 7334
Class	5K
Inlet Design	Flanged (JIS B 2240)
Outlet Design	M42x2
Operator	Handwheel

Dimensions

DN	PCD	Holes	Holes Dia	Weight
(MM)	(MM)	(#)	(MM)	(kg)
15	60	4	12 (M10)	3
25	75	4	12 (M10)	4



Materials

Body / Bonnet	Bronze (JIS H 5111)
Stem	Brass (JIS H 3250)
Disc	Bronze (JIS H 5111)
Operator Material	Cast Iron (JIS G 5501)

All the product information presented on these pages is only indicative and is provided subject to typographical errors, changes and deviations. The buyer cannot derive any rights from this information. The seller excludes any liability for damage resulting from the use of this information.