

MBC-IS-F1

MUD BOX (F7121-5K)

Valveco®

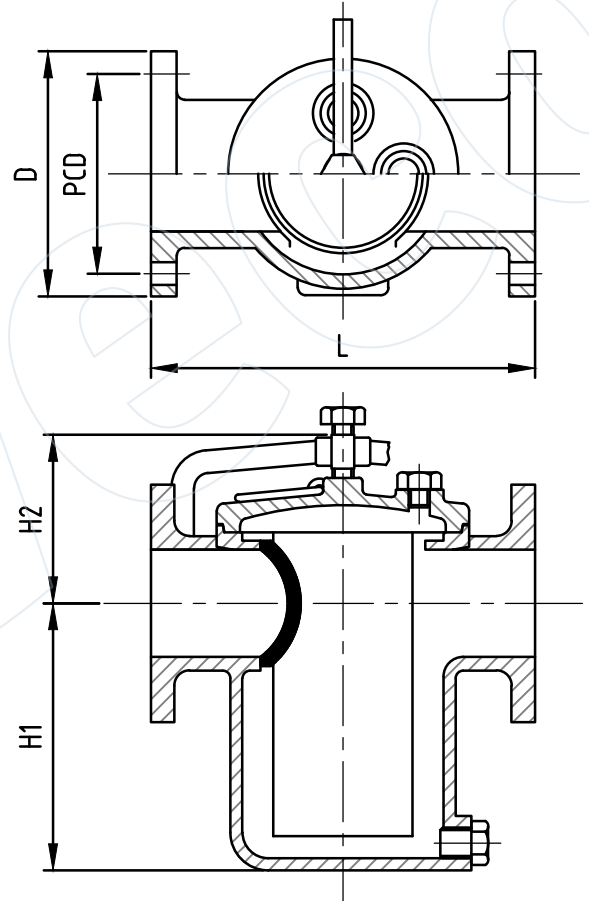
cast iron body, stainless steel basket, flanged 5k

Technical Features

Design	JIS F 7121
Face-to-Face Design	JIS F 7121
Class	5K
Inlet Design	Flanged (JIS B 2210)
Outlet Design	Flanged (JIS B 2210)

Dimensions

DN (MM)	Length (MM)	PCD (MM)	Holes (#)	Holes Dia (MM)	Weight (kg)
25	170	75	4	12 (M10)	5.8
32	190	90	4	15 (M12)	8.23
40	190	95	4	15 (M12)	9
50	200	105	4	15 (M12)	11
65	250	130	4	15 (M12)	19
80	270	145	4	19 (M16)	25
100	320	165	8	19 (M16)	34
125	400	200	8	19 (M16)	68
150	460	230	8	19 (M16)	98



Materials

Body / Bonnet	Cast Iron (JIS G 5501)
Screen / Strainer	Stainless Steel (AISI 304)
Gasket	Graphite

All the product information presented on these pages is only indicative and is provided subject to typographical errors, changes and deviations. The buyer cannot derive any rights from this information. The seller excludes any liability for damage resulting from the use of this information.