

# ANG-CS-D3

## GLOBE VALVE

Valveco®

angle pattern, stop type, cast steel body, stainless steel trim, pn16, flanged

### Technical Features

Class	PN16
Face-to-Face Design	EN-558-1 (DIN 3202-/F1)
Inlet Design	EN 1092 (DIN 2501)
Outlet Design	EN 1092 (DIN 2501)
Operator	Handwheel

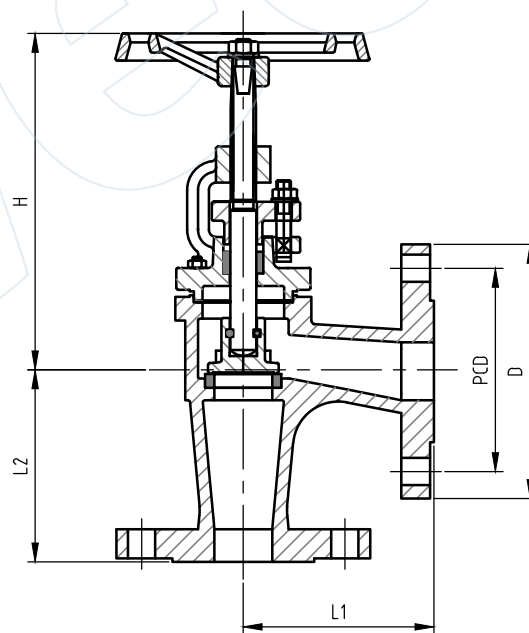
### Options

- Available with Lloyds Register of Shipping Class Certificate
- Available with Balanced Disc ( $\Delta p$ )

\*\*\* Other sizes refer to data sheet ANG-CS-D5 \*\*\*

### Dimensions

DN	Length	PCD	Holes	Holes Dia	Weight
(MM)	(MM)	(MM)	(#)	(MM)	(kg)
65	145	145	4	18 (M16)	28
100	175	180	8	18 (M16)	48
125	200	210	8	18 (M16)	68
150	225	240	8	22 (M20)	99
200	275	295	12	22 (M20)	171
250	325	355	12	26 (M24)	188



### Materials

Body / Bonnet	Steel
Stem	Stainless Steel
Disc ≤ 65	Stainless Steel
Disc > 65	Forged Steel GSC 25
Disc / Seat Ring ≤ 65	Solid Stainless Steel
Disc / Seat Ring > 65	Stainless Steel
Gasket	Graphite
Operator Material	Cast Iron

All the product information presented on these pages is only indicative and is provided subject to typographical errors, changes and deviations. The buyer cannot derive any rights from this information. The seller excludes any liability for damage resulting from (the use of) this information.