

# ANG-IS-D2

## GLOBE VALVE

Valveco®

angle valve, stop type, cast iron body, stainless steel trim, pn10, flanged

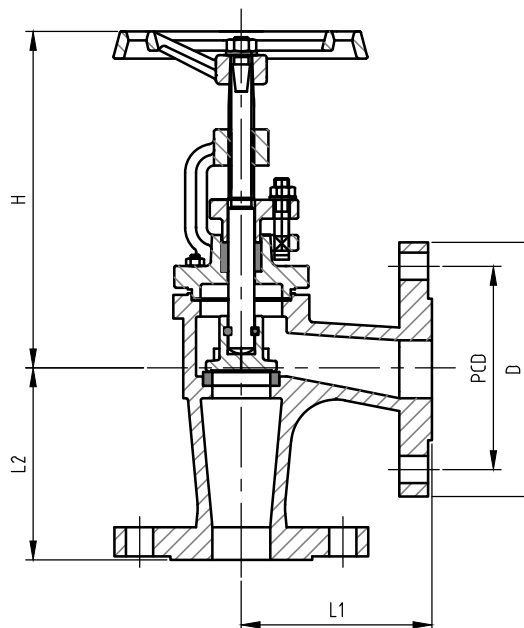
### Technical Features

Class	PN10
Face-to-Face Design	EN-558-1 (DIN 3202-/F1)
Inlet Design	EN 1092 (DIN 2501)
Outlet Design	EN 1092 (DIN 2501)
Operator	Handwheel

\*\*\* Smaller sizes refer to data sheet ANG-IS-D3 \*\*\*

### Dimensions

DN	Length	PCD	Holes	Holes Dia	Weight
(MM)	(MM)	(MM)	(#)	(MM)	(kg)
200	275	295	8	22 (M20)	129
250	325	350	12	22 (M20)	203
300	375	400	12	22 (M20)	282



### Materials

Body / Bonnet	Cast Iron GG25 (EN-GJL-250)
Stem	Stainless Steel
Disc ≤ 65	Stainless Steel
Disc > 65	Cast Iron GG25
Disc / Seat Ring ≤ 65	Solid Stainless Steel
Disc / Seat Ring > 65	Stainless Steel
Gasket	Graphite
Operator Material	Cast Iron

All the product information presented on these pages is only indicative and is provided subject to typographical errors, changes and deviations. The buyer cannot derive any rights from this information. The seller excludes any liability for damage resulting from the use of this information.