

ANH-DS-D2

QUICK CLOSING VALVE

Valveco®

angle pattern, pneumatic / hydraulic mechanical cylinder, nodular cast iron body, stainless steel trim, pn10, flanged

Technical Features

Class	PN10
Face-to-Face Design	EN-558-1 (DIN 3202-/F1)
Inlet Design	EN 1092 (DIN 2501)
Outlet Design	EN 1092 (DIN 2501)
Operator	Handwheel

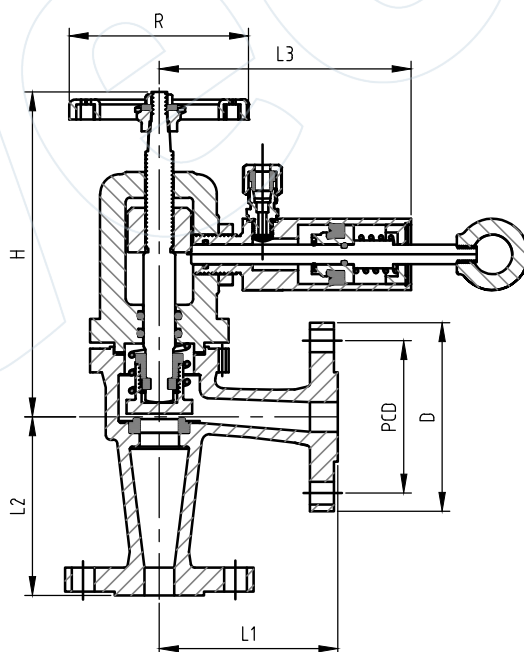
Options

- Available in various Materials
- Available in different Flange standards
- Available with Impuls Unit
- Available with Electric Cylinder

*** Smaller sizes refer to data sheet GLH-DS-D3 ***

Dimensions

DN	Length	PCD	Holes	Holes Dia	Weight
(MM)	(MM)	(MM)	(#)	(MM)	(kg)
200	275	295	8	22 (M20)	137



Materials

Body / Bonnet	Nodular Cast Iron GGG40.3 (EN-GJS-400-18U-LT)
Stem	Stainless Steel
Spring	Stainless Steel
Disc	Stainless Steel
Gasket	Graphite
Operator Material	Cast Iron

All the product information presented on these pages is only indicative and is provided subject to typographical errors, changes and deviations. The buyer cannot derive any rights from this information. The seller excludes any liability for damage resulting from the use of this information.