

ANS-BB-D2

GLOBE VALVE

Valveco®

din 86261 pattern, angle pattern, screw down non return type, bolted bonnet, bronze body, bronze trim, pn10, flanged

Technical Features

Design	EN-558-1 (DIN 3202-/F1)
Class	PN10
Face-to-Face Design	EN-558-1 (DIN 3202-/F1)
Inlet Design	ACC. EN 1092-3/A (DIN 2501)
Outlet Design	ACC. EN 1092-3/A (DIN 2501)
Operator	Handwheel

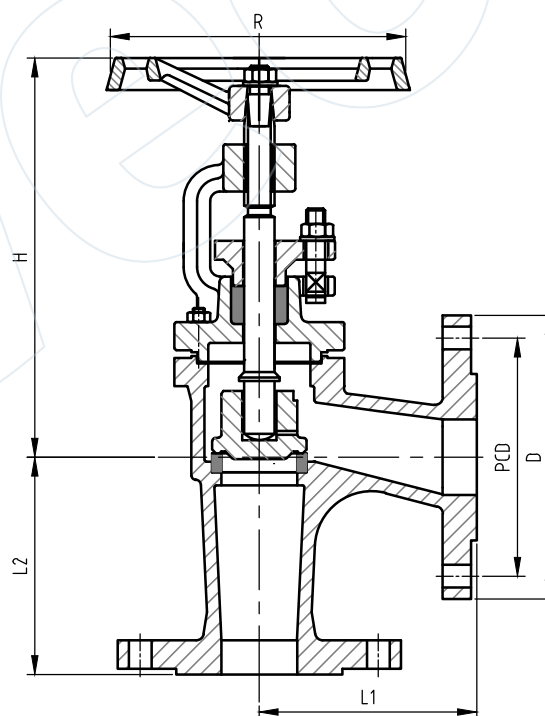
Options

- Available with Lloyds Register of Shipping Class Certificate
- Available in Low Zinc Bronze
- Available with Regulating Disc

*** Smaller sizes refer to data sheet ANS-BB-D3 ***

Dimensions

DN	Length	PCD	Holes	Holes Dia	Weight
(MM)	(MM)	(MM)	(#)	(MM)	(kg)
200	275	295	8	22 (M20)	95
250	325	350	12	22 (M20)	155
300	375	400	12	22 (M20)	255



Materials

Body / Bonnet	Bronze Rg 5
Stem	Brass Ms 58
Disc	Bronze Rg 5
Gasket	Graphite
Operator Material	Cast Iron

All the product information presented on these pages is only indicative and is provided subject to typographical errors, changes and deviations. The buyer cannot derive any rights from this information. The seller excludes any liability for damage resulting from the use of this information.