

ANS-DB-D1

GLOBE VALVE

Valveco®

angle pattern, screw down non return type, nodular cast iron body, bronze trim, pn6, flanged

Technical Features

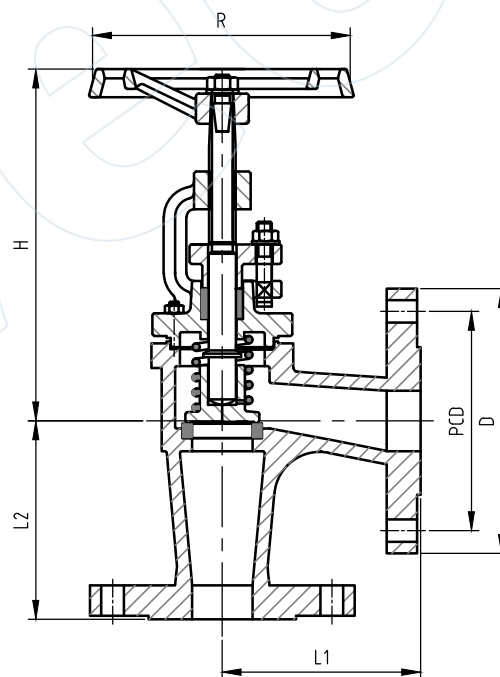
Class	PN6
Face-to-Face Design	EN-558-1 (DIN 3202-/F1)
Inlet Design	EN 1092 (DIN 2501)
Outlet Design	EN 1092 (DIN 2501)
Operator	Handwheel

Options

- Available with Lloyds Register of Shipping Class Certificate

Dimensions

DN	Length	PCD	Holes	Holes Dia	Weight
(MM)	(MM)	(MM)	(#)	(MM)	(kg)
15	90	55	4	11 (M10)	4
20	95	65	4	11 (M10)	4.5
25	100	75	4	11 (M10)	4.5
32	105	90	4	14 (M12)	7
40	115	100	4	14 (M12)	7
50	125	110	4	14 (M12)	12
65	145	130	4	14 (M12)	17
80	155	150	4	18 (M16)	23
100	175	170	4	18 (M16)	34
125	200	200	8	18 (M16)	46
150	225	225	8	18 (M16)	68
200	275	280	8	18 (M16)	117
250	325	335	12	18 (M16)	205
300	375	395	12	22 (M20)	298



Materials

Body / Bonnet	Nodular Cast Iron GGG40.3 (EN-GJS-400-18U-LT)
Spring	Stainless Steel 1.4310
Stem	Brass Ms 58
Disc ≤ 65	Bronze Rg 5
Disc > 65	Cast Iron GG25
Disc / Seat Ring ≤ 65	Solid Bronze Rg5
Disc / Seat Ring > 65	Bronze Rg5
Gasket	Graphite
Operator Material	Cast Iron

All the product information presented on these pages is only indicative and is provided subject to typographical errors, changes and deviations. The buyer cannot derive any rights from this information. The seller excludes any liability for damage resulting from the use of this information.