

BAK-SS-D3

BALL VALVE

Valveco®

two piece design, full bore, stainless steel body, stainless steel trim, ptfе seat, pn16, flanged

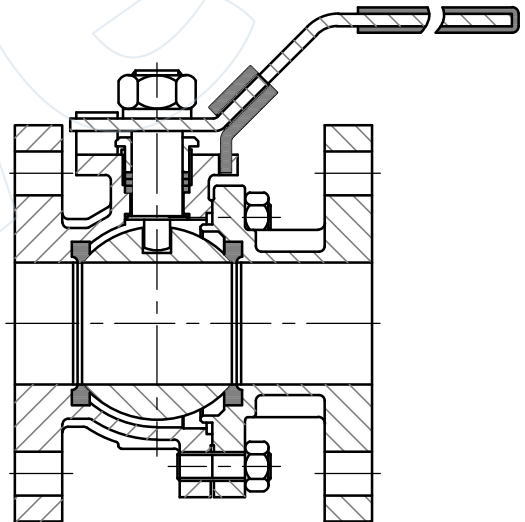
Technical Features

Class	PN16
Face-to-Face Design	EN-558-1 (DIN 3202-/F4)
Inlet Design	EN 1092 (DIN 2501)
Outlet Design	EN 1092 (DIN 2501)
Operator	Lever

*** Other sizes refer to data sheet BAK-SS-D5 ***

Dimensions

DN	Length	PCD	Holes	Holes Dia	Weight
(MM)	(MM)	(MM)	(#)	(MM)	(kg)
65	170	145	4	18 (M16)	16.6
100	190	180	8	18 (M16)	29.5
125	325	210	8	18 (M16)	56
150	350	240	8	22 (M20)	82
200	400	295	12	22 (M20)	120
250	450	355	12	26 (M20)	190



Materials

Body	Stainless Steel (AISI 316)
Stem	Stainless Steel
Ball	Stainless Steel (AISI 316)
Seat Ring	PTFE
Operator Material	Stainless Steel (AISI 304)

All the product information presented on these pages is only indicative and is provided subject to typographical errors, changes and deviations. The buyer cannot derive any rights from this information. The seller excludes any liability for damage resulting from the use of this information.