

# BFM-DN-D2

## BUTTERFLY VALVE - MONO TYPE

**Valveco**<sup>®</sup>

butterfly valve, mono flange type, short pattern, centric disc, nodular cast iron body, stainless steel stem, alu bronze disc, vulcanised nbr rubber liner

### Technical Features

Class	PN10
Stem Pattern	Square

### Materials

Body	Nodular Cast Iron
Stem	Stainless Steel
Disc	Aluminium Bronze
Seat	NBR

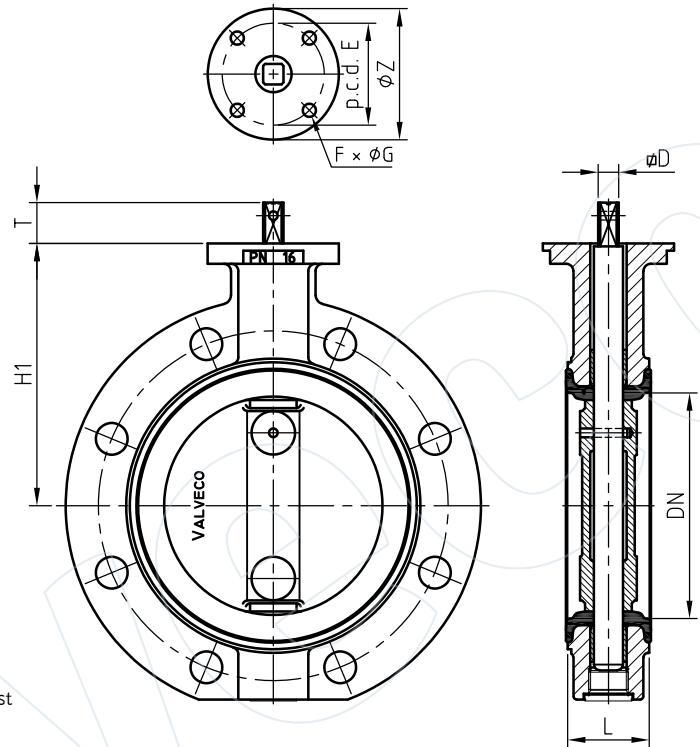
### Options

- Other materials, (top) flange & stem connections + nominal sizes on request
- Lever, wormgear operator, electric, pneumatic or hydraulic actuator

\*\*\* Smaller sizes refer to data sheet BFM-DN-D3 \*\*\*

### Dimensions (dimensions may vary)

DN	Length	Height	Stem Dimensions	Stem Height	Topflange Diameter	Topflange PCD	Holes Dia	Weight
(MM)	(L)	(H1)	( $\varnothing$ D)	(T)	(Z)	(E)	(F)	(kg)
200	60	204	17	28	90	70	4x9	15
250	68	245	22	30	125	102	4x11	26
300	78	270	22	30	125	102	4x11	34
350	78	315	27	29	150	125	4x14	58
400	102	350	27	29	150	125	4x14	82



All the product information presented on these pages is only indicative and is provided subject to typographical errors, changes and deviations. The buyer cannot derive any rights from this information. The seller excludes any liability for damage resulting from (the use of) this information.