

CHS-DC-D2

CHECK VALVE

Valveco®

swing type, full bore, nodular cast iron body, steel trim, nbr seat, flanged

Technical Features

Design	Valveco Design
Class	PN10
Face-to-Face Design	Valveco Design
Inlet Design	EN 1092 (DIN 2501)
Outlet Design	EN 1092 (DIN 2501)

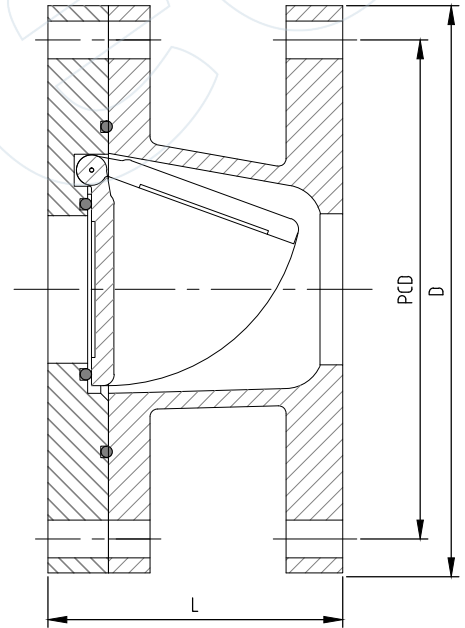
Options

- Available in various Materials

*** Smaller sizes refer to data sheet CHS-DC-D3 ***

Dimensions

DN	Length	PCD	Holes	Holes Dia	Weight
(MM)	(MM)	(MM)	(#)	(MM)	(kg)
200	255	295	8	22 (M20)	42
250	310	350	12	22 (M20)	52
300	360	400	12	22 (M20)	81



Materials

Body	Nodular Cast Iron GGG40.3 (EN-GJS-400-18U-LT)
Body Seat Ring	NBR
Disc	Steel
Gasket	NBR

All the product information presented on these pages is only indicative and is provided subject to typographical errors, changes and deviations. The buyer cannot derive any rights from this information. The seller excludes any liability for damage resulting from the use of this information.