

GAN-BB-D2

GATE VALVE

Valveco®

with position indicator, non rising stem, with gland packing, bronze body, bronze trim, pn10, flanged

Technical Features

Class	PN10
Face-to-Face Design	EN-558-1 (DIN 3202-/F4)
Inlet Design	ACC. EN 1092-3/A (DIN 2501)
Outlet Design	ACC. EN 1092-3/A (DIN 2501)
Operator	Handwheel

Pressure Range

DN (Nominal Size)	PN (Nominal Pressure)
DN 200	PN10
DN 250 - DN 500	PN6
DN 350 - DN 500	PN4
DN 600 - DN 700	PN2,5

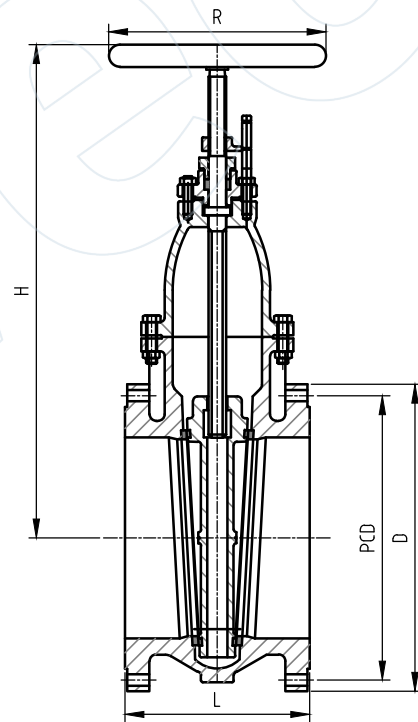
Options

- Other materials, flange connections and nominal sizes on request
- Various remote actuators
- Available with Lloyds Register of Shipping Class Certificate

*** Smaller sizes refer to data sheet GAN-BB-D3 ***

Dimensions

DN	Length	PCD	Holes	Holes Dia	Weight
(MM)	(MM)	(MM)	(#)	(MM)	(kg)
200	230	295	8	22 (M20)	75
250	250	350	12	22 (M20)	105
300	270	400	12	22 (M20)	187



Materials

Body / Bonnet	Bronze Rg 5
Stem	Brass Ms 58
Disc	Bronze Rg 5
Gasket	Graphite
Operator Material	Cast Iron

All the product information presented on these pages is only indicative and is provided subject to typographical errors, changes and deviations. The buyer cannot derive any rights from this information. The seller excludes any liability for damage resulting from the use of this information.