

GAN-IB-D2-L

GATE VALVE

Valveco®

long pattern, non rising stem, with gland packing, cast iron body, bronze trim, pn10, flanged

Technical Features

Class	PN10
Face-to-Face Design	EN-558-1 (DIN 3202-/F5)
Inlet Design	EN 1092 (DIN 2501)
Outlet Design	EN 1092 (DIN 2501)
Operator	Handwheel

Pressure Range

DN (Nominal Size)	PN (Nominal Pressure)
DN 200 - DN 300	PN10

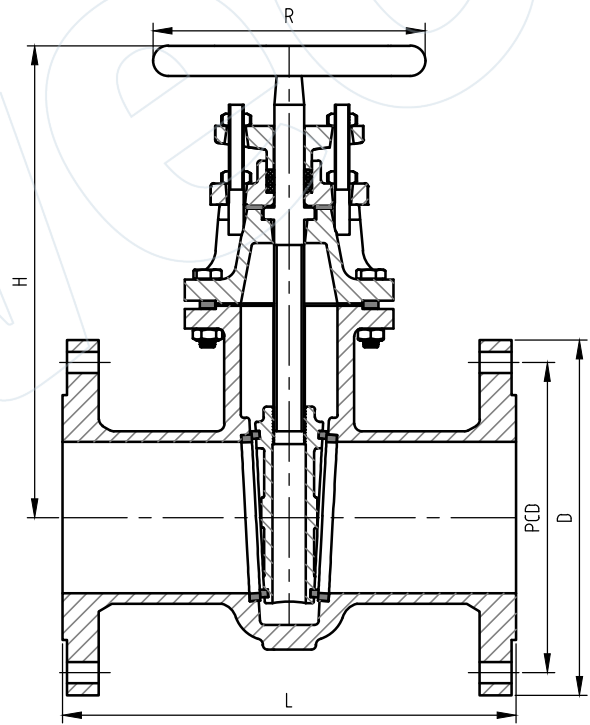
Options

- Other materials, flange connections and nominal sizes on request
- Various remote actuators
- Available with rubber wedge

*** Smaller sizes refer to data sheet GAN-IB-D3-L ***

Dimensions

DN	Length	PCD	Holes	Holes Dia	Weight
(MM)	(MM)	(MM)	(#)	(MM)	(kg)
200	400	295	8	22 (M20)	127
250	450	350	12	22 (M20)	183
300	500	400	12	22 (M20)	240



Materials

Body / Bonnet	Cast Iron GG25 (EN-GJL-250)
Stem	Brass Ms 58
Disc ≤ N/A	Cast Iron GG25 (EN-GJL-250)
Disc / Seat Ring ≤ N/A	Bronze Rg 5
Gasket	Graphite
Operator Material	Cast Iron

All the product information presented on these pages is only indicative and is provided subject to typographical errors, changes and deviations. The buyer cannot derive any rights from this information. The seller excludes any liability for damage resulting from the use of this information.