

GAN-IS-D2

GATE VALVE

Valveco®

with position indicator, non rising stem, double threaded stem, with gland packing, cast iron body, stainless steel trim, pn10, flanged

Technical Features

Class	PN10
Face-to-Face Design	EN-558-1 (DIN 3202-/F4)
Inlet Design	EN 1092 (DIN 2501)
Outlet Design	EN 1092 (DIN 2501)
Operator	Handwheel

Pressure Range

DN (Nominal Size)	PN (Nominal Pressure)
DN 200 - DN 300	PN6
DN 350 - DN 500	PN4
DN 600 - DN 700	PN2,5

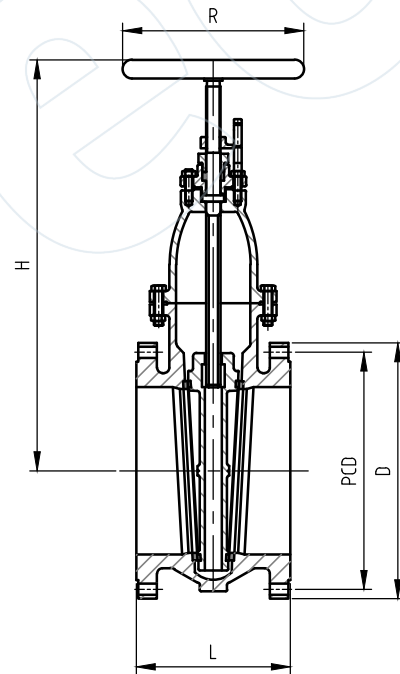
Options

- Other materials, flange connections and nominal sizes on request
- Various remote actuators

*** Smaller sizes refer to data sheet GAN-IS-D3 ***

Dimensions

DN	Length	PCD	Holes	Holes Dia	Weight
(MM)	(MM)	(MM)	(#)	(MM)	(kg)
200	230	295	8	22 (M20)	87
250	250	350	12	22 (M20)	122
300	270	400	12	22 (M20)	150
350	290	460	16	22 (M20)	230
400	310	515	16	26 (M24)	281
450	330	565	20	26 (M24)	385
500	350	620	20	26 (M24)	520



Materials

Body / Bonnet	Cast Iron GG25 (EN-GJL-250)
Stem	Stainless Steel
Disc	Cast Iron GG25 (EN-GJL-250)
Disc / Seat Ring	Stainless Steel
Plug	Stainless Steel
Gasket	Graphite
Operator Material	Cast Iron

All the product information presented on these pages is only indicative and is provided subject to typographical errors, changes and deviations. The buyer cannot derive any rights from this information. The seller excludes any liability for damage resulting from the use of this information.