

GLO-IB-D3

GLOBE VALVE

Valveco®

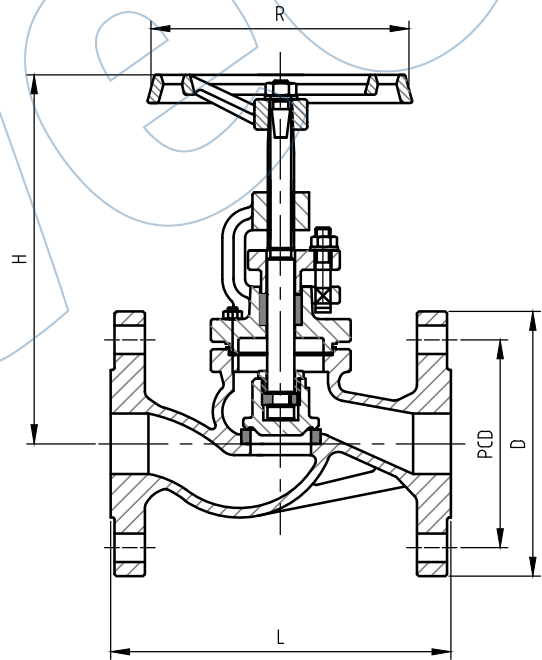
straight pattern, stop type, cast iron body, bronze trim, pn16, flanged

Technical Features

Class	PN16
Face-to-Face Design	EN-558-1 (DIN 3202-/F1)
Inlet Design	EN 1092 (DIN 2501)
Outlet Design	EN 1092 (DIN 2501)
Operator	Handwheel

Dimensions

DN (MM)	Length (MM)	PCD (MM)	Holes (#)	Holes Dia (MM)	Weight (kg)
15	130	65	4	14 (M12)	3.5
20	150	75	4	14 (M12)	4
25	160	85	4	14 (M12)	5
32	180	100	4	18 (M16)	7
40	200	110	4	18 (M16)	10
50	230	125	4	18 (M16)	12
65	290	145	4	18 (M16)	16
80	310	160	8	18 (M16)	23.5
100	350	180	8	18 (M16)	35
125	400	210	8	18 (M16)	52
150	480	240	8	22 (M20)	76
200	600	295	12	22 (M20)	148
250	730	355	12	26 (M24)	244
300	850	410	12	26 (M24)	341



Materials

Body / Bonnet	Cast Iron GG25 (EN-GJL-250)
Stem	Brass Ms 58
Disc ≤ 65	Bronze Rg 5
Disc > 65	Cast Iron GG25
Disc / Seat Ring ≤ 65	Solid Bronze Rg5
Disc / Seat Ring > 65	Bronze Rg5
Gasket	Graphite
Operator Material	Cast Iron

All the product information presented on these pages is only indicative and is provided subject to typographical errors, changes and deviations. The buyer cannot derive any rights from this information. The seller excludes any liability for damage resulting from the use of this information.