

GLS-IB-D1

GLOBE VALVE

Valveco®

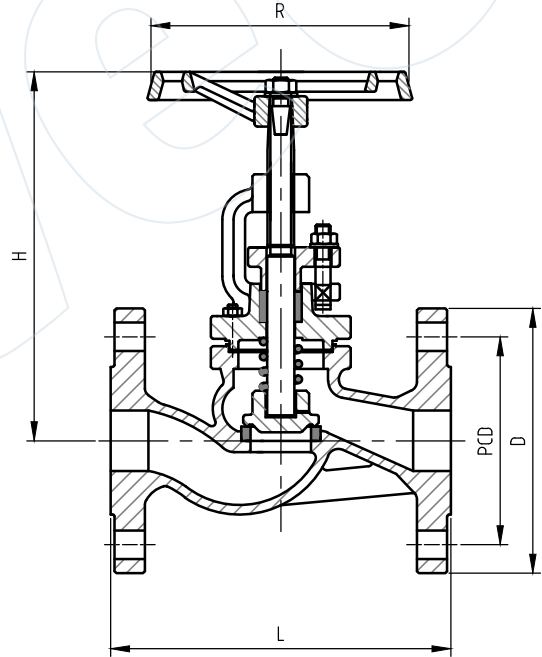
straight pattern, screw down non return type, cast iron body, bronze trim, pn6, flanged

Technical Features

Class	PN6
Face-to-Face Design	EN-558-1 (DIN 3202-/F1)
Inlet Design	EN 1092 (DIN 2501)
Outlet Design	EN 1092 (DIN 2501)
Operator	Handwheel

Dimensions

DN (MM)	Length (MM)	PCD (MM)	Holes (#)	Holes Dia (MM)	Weight (kg)
15	130	55	4	11 (M10)	3.5
20	150	65	4	11 (M10)	4
25	160	75	4	11 (M10)	5
32	180	90	4	14 (M12)	7
40	200	100	4	14 (M12)	10
50	230	110	4	14 (M12)	12
65	290	130	4	14 (M12)	16
80	310	150	4	18 (M16)	23.5
100	350	170	4	18 (M16)	35
125	400	200	8	18 (M16)	52
150	480	225	8	18 (M16)	76
200	600	280	8	18 (M16)	148
250	730	335	12	18 (M16)	244
300	850	395	12	22 (M20)	341



Materials

Body / Bonnet	Cast Iron GG25 (EN-GJL-250)
Spring	Stainless Steel 1.4310
Stem	Brass Ms 58
Disc ≤ 65	Bronze Rg 5
Disc > 65	Cast Iron GG25
Disc / Seat Ring ≤ 65	Solid Bronze Rg5
Disc / Seat Ring > 65	Bronze Rg5
Gasket	Graphite
Operator Material	Cast Iron

All the product information presented on these pages is only indicative and is provided subject to typographical errors, changes and deviations. The buyer cannot derive any rights from this information. The seller excludes any liability for damage resulting from the use of this information.