

GLV-DB-D2-SDNR

GLOBE VALVE

Valveco®

adjustable opening: 0,1 - 0,5 bar, straight pattern, screw down non return type, nodular cast iron body, bronze trim, pn10, flanged

Technical Features

Class	PN10
Face-to-Face Design	EN-558-1 (DIN 3202-/F1)
Inlet Design	EN 1092 (DIN 2501)
Outlet Design	EN 1092 (DIN 2501)
Operator	Handwheel

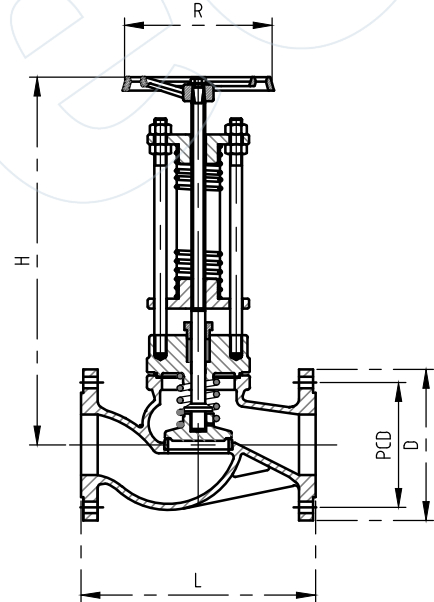
Options

- Available with Lloyds Register of Shipping Class Certificate
- Available in complete Bronze

*** Smaller sizes refer to data sheet GLV-DB-D3-SDNR ***

Dimensions

DN	Length	PCD	Holes	Holes Dia	Weight
(MM)	(MM)	(MM)	(#)	(MM)	(kg)
200	600	295	8	22 (M20)	150
250	730	350	12	22 (M20)	230



Materials

Body / Bonnet	Nodular Cast Iron GGG40.3 (EN-GJS-400-18U-LT)
Outside Spring	Galvanized Steel
Spring	Stainless Steel 1.4310
Stem	Brass Ms 58
Disc ≤ 65	Bronze Rg 5
Disc > 65	Cast Iron GG25
Disc / Seat Ring ≤ 65	Solid Bronze Rg5
Disc / Seat Ring > 65	Bronze Rg5
Gasket	Graphite

All the product information presented on these pages is only indicative and is provided subject to typographical errors, changes and deviations. The buyer cannot derive any rights from this information. The seller excludes any liability for damage resulting from the use of this information.