

MBC-IS-D2

MUD BOX

Valveco®

straight pattern, bolted cover, cast iron body, stainless steel basket, pn10, flanged

Technical Features

Face-to-Face Design	DIN 87151
Class	PN10
Working Pressure	4 bar
Inlet Design	EN 1092 (DIN 2501)
Outlet Design	EN 1092 (DIN 2501)

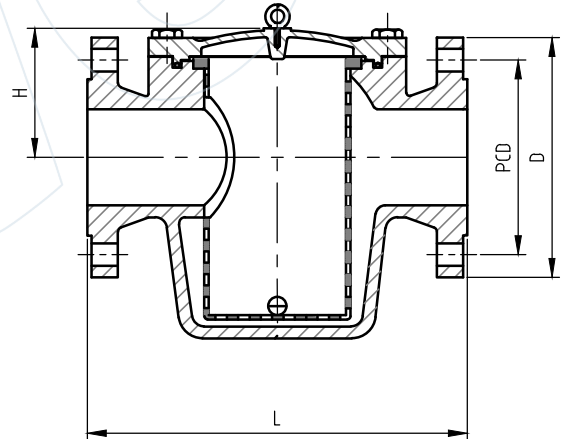
Options

- Available in various Materials
- Available with special Perforation
- Available with Quick Release Bolts
- Available with Protective Coating internally

*** Smaller sizes refer to data sheet MBC-IS-D3 ***

Dimensions

DN	Length	PCD	Holes	Holes Dia	Weight
(MM)	(MM)	(MM)	(#)	(MM)	(kg)
200	600	295	8	22 (M20)	155
250	600	350	12	22 (M20)	175
300	700	400	12	22 (M20)	235
350	800	460	16	22 (M20)	300
400	740	515	16	26 (M24)	430
450	1000	565	20	26 (M24)	480



Materials

Body / Bonnet	Cast Iron GG25 (EN-GJL-250)
Screen / Strainer	Stainless Steel (AISI 304)
Gasket	Graphite
Plug	Bronze Rg5

All the product information presented on these pages is only indicative and is provided subject to typographical errors, changes and deviations. The buyer cannot derive any rights from this information. The seller excludes any liability for damage resulting from the use of this information.