

# BFC-DN-F2



## BUTTERFLY VALVE – DOUBLE FLANGED TYPE (F4620-10K)

butterfly valve, double flanged type, short pattern, nodular cast iron body, stainless steel stem, alu bronze disc, replaceable nbr rubber liner

### Technical features

Class 10K

### Materials

Body Nodular Cast Iron

Stem Stainless Steel

Disc Aluminium Bronze

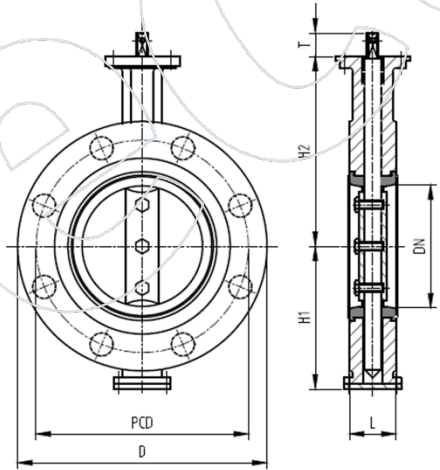
Seat NBR

### Options

- Other materials, (top) flange & stem connections + nominal sizes on request
- Lever, wormgear operator (page 2), electric, pneumatic or hydraulic actuator
- Available with Lloyds Register of Shipping Class certificate

### Dimensions (may vary)

DN	Length	Height	PCD	Holes	Holes dia	Weight
(MM)	(MM)	(MM)	(MM)	(#)	(MM)	(Kg)
50	43	124	120	4	19	9
65	46	134	140	4	19	9
80	46	141	150	8	19	9
100	52	156	175	8	19	12
125	56	168	210	8	23	20
150	56	184	240	8	23	24
200	60	213	290	12	23	30
250	68	244	355	12	25	54
300	78	283	400	16	25	62
350	78	267	445	16	25	73
400	102	297	510	16	27	130
450	114	315	565	20	27	160
500	127	348	620	20	27	190
600	154	444	680	20	33	258



All the product information presented on these pages is only indicative and is provided subject to typographical errors, changes and deviations. The buyer cannot derive any rights from this information. The seller excludes any liability for damage resulting from the use of this information.

# BFC-DN-F2



## BUTTERFLY VALVE – DOUBLE FLANGED TYPE (F4620-10K)

butterfly valve, double flanged type, short pattern, nodular cast iron body, stainless steel stem, alu bronze disc, replaceable nbr rubber liner

### Bare Shaft

DN	OD	PCD	Holes	Holes dia	Square	Length
(MM)	(MM)	(MM)	(#)	(MM)	(MM)	(MM)
50-100	90	70	4	9	11	25
125-150	90	70	4	9	14	28
200	90	70	4	9	17	28
250-300	125	102	4	11	22	30
350-400	150	125	4	14	27	29
450-500	175	140	4	18	36	38
600	210	165	4	22	46	48

### Lever operated

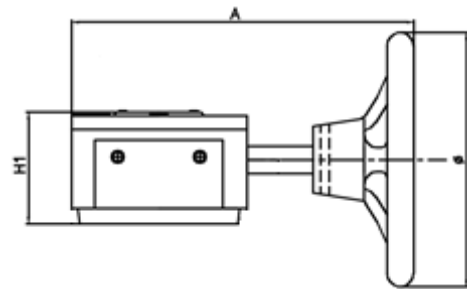
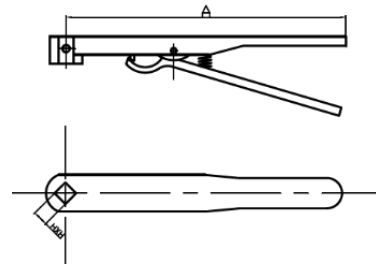
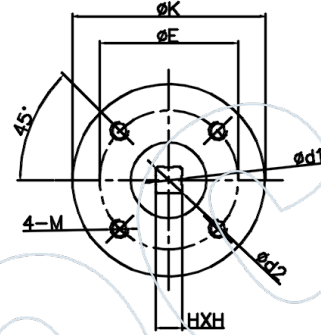
DN	Height	Length
(MM)	(MM)	(MM)
50-100	25	230
125-200	28	329

### Wormgear operated

DN	Length	Height	Dia
(MM)	(MM)	(MM)	(MM)
50-200	196	55	140
250-300	196	61	260
350-400	285	72	300
450-500	365	81	400
600	462	91	500

### Torque (excl. safety margin)

DN	50	65	80	100	125	150	200	250	300	350	400	450	500	600
Nm	12.2	15.4	21.7	37.1	57.9	93.9	172.6	285.9	428.7	550.3	755.4	1012.3	1300	2110.8



All the product information presented on these pages is only indicative and is provided subject to typographical errors, changes and deviations. The buyer cannot derive any rights from this information. The seller excludes any liability for damage resulting from the use of this information.