

BFC-DN-F3



BUTTERFLY VALVE – DOUBLE FLANGED TYPE (F4620-16K)

butterfly valve, double flanged type, short pattern, nodular cast iron body, stainless steel stem, alu bronze disc, replaceable nbr rubber liner

Technical features

Class 16K (W.P. 16 bar, > DN300 W.P. 10 bar)

Materials

Body Nodular Cast Iron

Stem Stainless Steel

Disc Aluminium Bronze

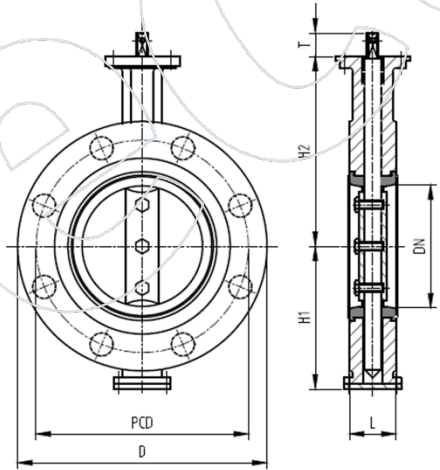
Seat NBR

Options

- Other materials, (top) flange & stem connections + nominal sizes on request
- Lever, wormgear operator (page 2), electric, pneumatic or hydraulic actuator
- Available with Lloyds Register of Shipping Class certificate

Dimensions (may vary)

DN (MM)	Length (MM)	Height (MM)	PCD (MM)	Holes (#)	Holes dia (MM)	Weight (Kg)
50	43	124	120	8	19	9
65	46	134	140	8	19	9
80	46	141	160	8	23	9
100	52	156	185	8	23	12
125	56	168	225	8	25	20
150	56	184	260	12	25	24
200	60	213	305	12	25	30
250	68	244	380	12	27	54
300	78	283	430	16	27	62
350	78	267	480	16	33	73
400	102	297	540	16	33	130
450	114	315	605	20	33	160
500	127	348	660	20	33	190
600	154	444	770	24	39	258



All the product information presented on these pages is only indicative and is provided subject to typographical errors, changes and deviations. The buyer cannot derive any rights from this information. The seller excludes any liability for damage resulting from the use of this information.

BFC-DN-F3



BUTTERFLY VALVE – DOUBLE FLANGED TYPE (F4620-16K)

butterfly valve, double flanged type, short pattern, nodular cast iron body, stainless steel stem, alu bronze disc, replaceable nbr rubber liner

Bare Shaft

DN	OD	PCD	Holes	Holes dia	Square	Length
(MM)	(MM)	(MM)	(#)	(MM)	(MM)	(MM)
50-100	90	70	4	9	11	25
125-150	90	70	4	9	14	28
200	90	70	4	9	17	28
250-300	125	102	4	11	22	30
350-400	150	125	4	14	27	29
450-500	175	140	4	18	36	38
600	210	165	4	22	46	48

Lever operated

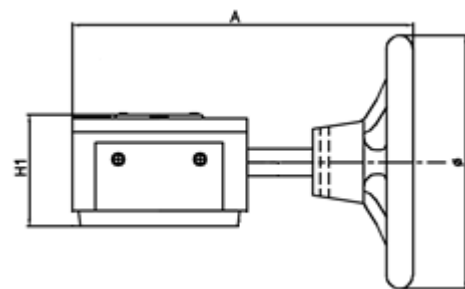
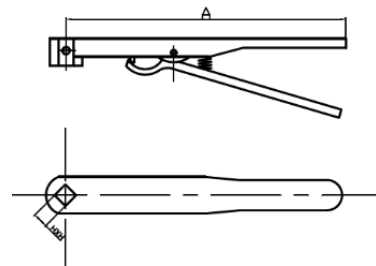
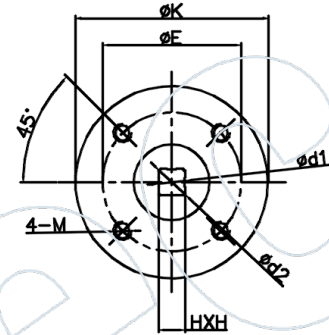
DN	Height	Length
(MM)	(MM)	(MM)
50-100	25	230
125-200	28	329

Wormgear operated

DN	Length	Height	Dia
(MM)	(MM)	(MM)	(MM)
50-200	196	55	140
250-300	196	61	260
350-400	285	72	300
450-500	365	81	400
600	462	91	500

Torque (excl. safety margin)

DN	50	65	80	100	125	150	200	250	300	350	400	450	500	600
Nm	13	17.2	23.1	39.8	61.9	102.5	191.8	322.8	490.2	550.3	755.4	1012.3	1300	2110.8



All the product information presented on these pages is only indicative and is provided subject to typographical errors, changes and deviations. The buyer cannot derive any rights from this information. The seller excludes any liability for damage resulting from the use of this information.