

# BFC-DN-F1



## BUTTERFLY VALVE – DOUBLE FLANGED TYPE (F6620-5K)

butterfly valve, double flanged type, long pattern, nodular cast iron body, stainless steel stem, alu bronze disc, replaceable nbr rubber liner

### Technical features

Class 5K

### Materials

Body Nodular Cast Iron

Stem Stainless Steel

Disc Aluminium Bronze

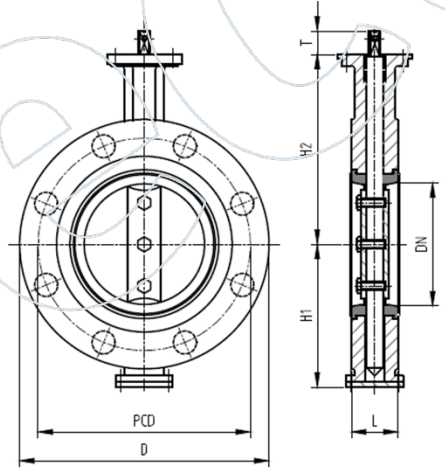
Seat NBR

### Options

- Other materials, (top) flange & stem connections + nominal sizes on request
- Lever, wormgear operator (page 2), electric, pneumatic or hydraulic actuator
- Available with Lloyds Register of Shipping Class certificate

### Dimensions (may vary)

DN	Length	Height	PCD	Holes	Holes dia	Weight
(MM)	(MM)	(MM)	(MM)	(#)	(MM)	(Kg)
125	100	195	200	8	19	22
150	100	218	230	8	19	28
200	100	243	280	8	23	37
250	110	280	345	8	23	65
300	110	310	390	12	23	78
350	120	368	435	12	25	113
400	130	400	495	16	25	139
450	150	450	555	16	25	178
500	160	485	605	20	25	210
600	170	500	680	20	27	312



All the product information presented on these pages is only indicative and is provided subject to typographical errors, changes and deviations. The buyer cannot derive any rights from this information. The seller excludes any liability for damage resulting from the use of this information.

# BFC-DN-F1



## BUTTERFLY VALVE – DOUBLE FLANGED TYPE (F6620-5K)

butterfly valve, double flanged type, long pattern, nodular cast iron body, stainless steel stem, alu bronze disc, replaceable nbr rubber liner

### Bare Shaft

DN	OD	PCD	Holes	Holes dia	Square	Length
(MM)	(MM)	(MM)	(#)	(MM)	(MM)	(MM)
125-150	90	70	4	9	14	28
200	90	70	4	9	17	28
250-300	125	102	4	11	22	30
350-400	150	125	4	14	27	29
450-500	175	140	4	18	36	38
600	210	165	4	22	46	48

### Lever operated

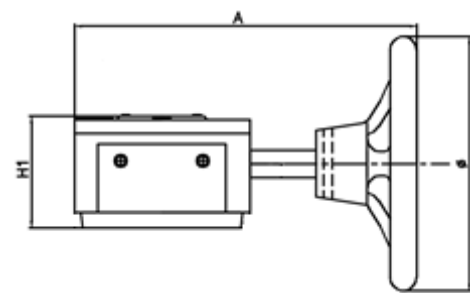
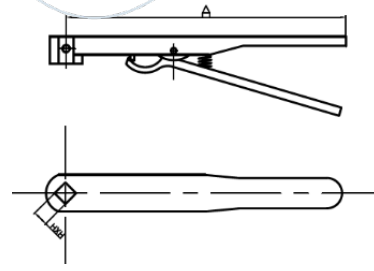
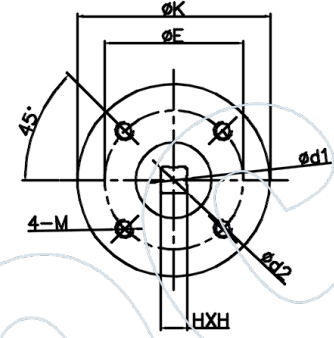
DN	Height	Length
(MM)	(MM)	(MM)
125-200	28	329

### Wormgear operated

DN	Length	Height	Dia
(MM)	(MM)	(MM)	(MM)
50-200	196	55	140
250-300	196	61	260
350-400	285	72	300
450-500	365	81	400
600	462	91	500

### Torque (excl. safety margin)

DN	125	150	200	250	300	350	400	450	500	600
Nm	40	75	120	280	350	360	700	1000	1300	2110.8



All the product information presented on these pages is only indicative and is provided subject to typographical errors, changes and deviations. The buyer cannot derive any rights from this information. The seller excludes any liability for damage resulting from the use of this information.