

BFW-DE-FX



BUTTERFLY VALVE – WAFER TYPE

butterfly valve, wafer type with positioning holes, nodular cast iron body, stainless steel stem, alu bronze disc, replaceable epdm rubber liner

Technical features

Class PN6/10/16, JIS 5K/10K, CL150

Materials

Body Nodular Cast Iron

Stem Stainless Steel

Disc Aluminium Bronze

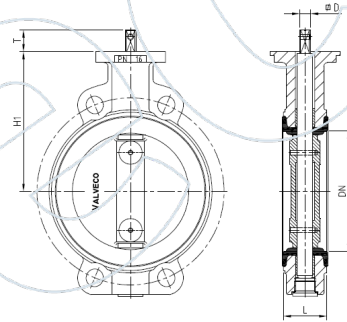
Seat EPDM

Options

- Other materials, (top) flange & stem connections + nominal sizes on request
- Lever, wormgear operator (page 2), electric, pneumatic or hydraulic actuator

Dimensions (may vary)

DN (MM)	Length (MM)	Height (MM)	Undrilled / Suitability			Weight (Kg)
			DIN PN6 / 10 / 16	JIS 5K / 10K	ANSI CL150	
40	33	120	✓	✓	✓	4
50	43	124	✓	✓	✓	4
65	46	134	✓	✓	✓	4
80	46	141	✓	✓	✓	4
100	52	156	✓	✓	✓	5.5
125	54	168	✓	✓	✓	8
150	56	184	✓	✓	✓	9.5
200	60	213	✓	✓	✓	15
250	68	244	✓	✓	✓	27
300	78	283	✓	✓	✓	38
350	78	368	✓	✓	✓	47
400	102	400	✓	✓	✓	52
450	114	422	✓	✓	✓	79
500	127	480	✓	✓	✓	145
600	154	562	✓	✓	✓	192



All the product information presented on these pages is only indicative and is provided subject to typographical errors, changes and deviations. The buyer cannot derive any rights from this information. The seller excludes any liability for damage resulting from the use of this information.

BFW-DE-FX



BUTTERFLY VALVE – WAFER TYPE

butterfly valve, wafer type with positioning holes, nodular cast iron body, stainless steel stem, alu bronze disc, replaceable epdm rubber liner

Bare Shaft

DN	OD	PCD	Holes	Holes dia	Square	Length
(MM)	(MM)	(MM)	(#)	(MM)	(MM)	(MM)
40-100	90	70	4	9	11	25
125-150	90	70	4	9	14	28
200	90	70	4	9	17	28
250-300	125	102	4	9	22	30
350-400	150	125	4	14	27	29
450-500	175	140	4	18	36	38
600	210	165	4	22	46	48

Lever operated

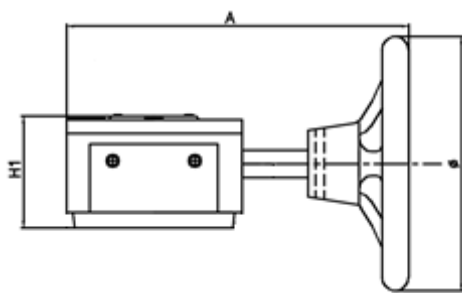
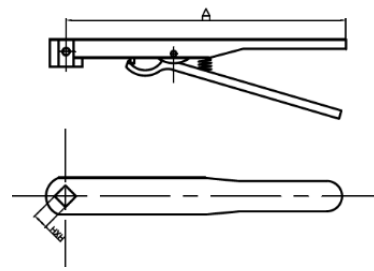
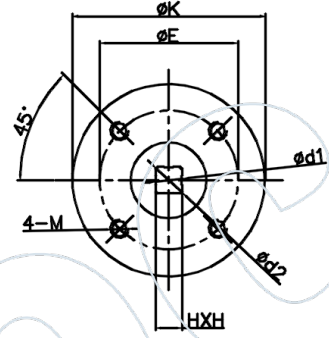
DN	Length	Height
(MM)	(MM)	(MM)
50-100	230	25
125-150	329	28
200	329	28

Wormgear operated

DN	Length	Height	Dia
(MM)	(MM)	(MM)	(MM)
40-200	231	55	140
250-300	305	61	260
350-400	310	72	300
450-500	378	81	400
600	457	91	500

Torque (excl. safety margin)

DN	40	50	65	80	100	125	150	200	250	300	350	400	450	500	600
NM	15	15	24	30	40	50	85	150	335	460	625	846	1132	1432	2301



All the product information presented on these pages is only indicative and is provided subject to typographical errors, changes and deviations. The buyer cannot derive any rights from this information. The seller excludes any liability for damage resulting from the use of this information.