

BFW-IN-F2-CG



BUTTERFLY VALVE – WAFER TYPE

butterfly valve, wafer type, cast iron fc body, stainless steel stem, stainless steel disc, replaceable nbr rubber liner, centre wheel gear operated

Technical features

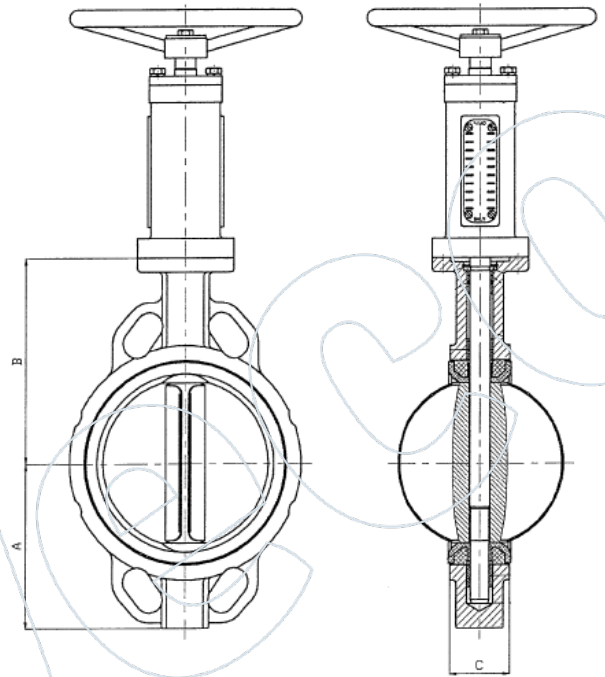
Class PN6/10, JIS 5K/10K, CL 150

Materials

Body Cast Iron
Stem Stainless Steel
Disc Stainless Steel
Seat NBR

Options

- Other materials & nominal sizes on request



Dimensions (may vary)

DN (MM)	Length (MM)	Height (MM)	Undrilled / Suitability			Weight (Kg)
			DIN PN6 / 10	JIS 5K / 10K	ANSI CL150	
50	43	205	✓	✓	✓	6
65	46	225	✓	✓	✓	7
80	46	238	✓	✓	✓	7
100	52	271	✓	✓	✓	11
125	56	297	✓	✓	✓	12
150	56	340	✓	✓	✓	12
200	60	393	✓	✓	✓	19
250	68	475	✓	✓	✓	24
300	78	547	✓	✓	✓	38

All the product information presented on these pages is only indicative and is provided subject to typographical errors, changes and deviations. The buyer cannot derive any rights from this information. The seller excludes any liability for damage resulting from the use of this information.

BFW-IN-F2-CG

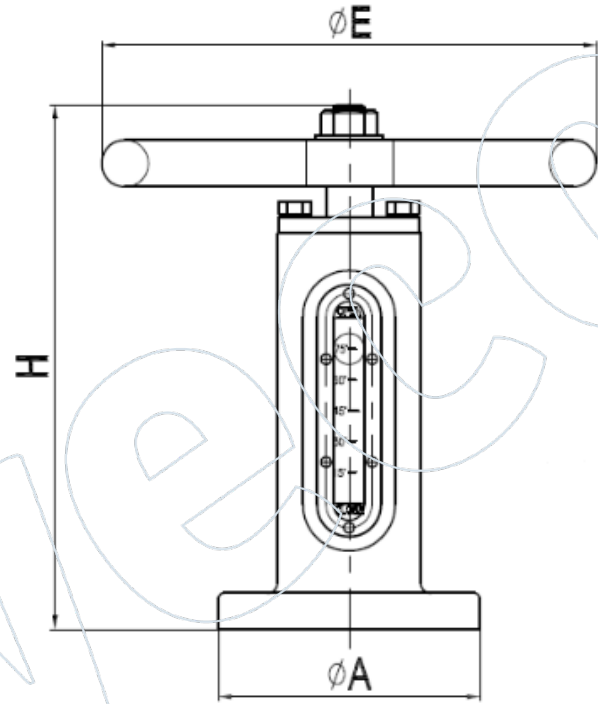


BUTTERFLY VALVE – WAFER TYPE

butterfly valve, wafer type, cast iron fc body, stainless steel stem, stainless steel disc, replaceable nbr rubber liner, centre wheel gear operated

Centre gear

DN	OD	Height	Dia
(MM)	(MM)	(MM)	(#)
50-100	90	205	150
125-150	90	205	200
200-300	125	223	250



Torque (excl. safety margin)

DN	50	65	80	100	125	150	200	250	300
Nm	13	22	34	56	85	134	268	389	542

All the product information presented on these pages is only indicative and is provided subject to typographical errors, changes and deviations. The buyer cannot derive any rights from this information. The seller excludes any liability for damage resulting from the use of this information.