

BFW-IN-F2-SP



BUTTERFLY VALVE – WAFER TYPE

butterfly valve, wafer type, cast iron fc body, stainless steel stem, stainless steel disc, replaceable nbr rubber liner *** special/non-standard face-to-face ***

Technical features

Class PN6/10, JIS 5K/10K, CL 150

Materials

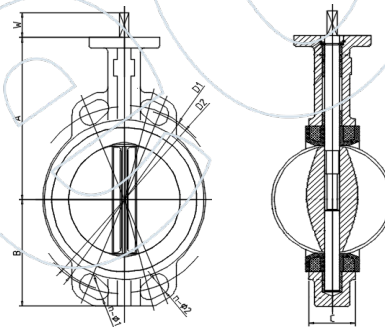
Body Cast Iron
 Stem Stainless Steel
 Disc Stainless Steel
 Seat NBR

Options

- Other materials, (top) flange & stem connections + nominal sizes on request
- Lever, wormgear operator (page 2), electric, pneumatic or hydraulic actuator

Dimensions (may vary)

DN (MM)	Length (MM)	Height (MM)	Undrilled / Suitability			Weight (Kg)
			DIN PN6 / 10	JIS 5K / 10K	ANSI CL150	
50	40	140	✓	✓	✓	5
65	40	150	✓	✓	✓	6
80	60	158	✓	✓	✓	6
100	60	176	✓	✓	✓	7
125	60	190	✓	✓	✓	12
150	70	212	✓	✓	✓	12
200	80	236	✓	✓	✓	15
250	90	265	✓	✓	✓	27
300	90	305	✓	✓	✓	38



All the product information presented on these pages is only indicative and is provided subject to typographical errors, changes and deviations. The buyer cannot derive any rights from this information. The seller excludes any liability for damage resulting from the use of this information.

BFW-IN-F2-SP



BUTTERFLY VALVE – WAFER TYPE

butterfly valve, wafer type, cast iron fc body, stainless steel stem, stainless steel disc, replaceable nbr rubber liner

Bare Shaft

DN	OD	PCD	Holes	Holes dia	Square	Length
(MM)	(MM)	(MM)	(#)	(MM)	(MM)	(MM)
50-100	90	70	4	10	11	28
125-150	90	70	4	10	14	28
200	125	102	4	12	17	35
250-300	125	102	4	12	22	35

Lever operated

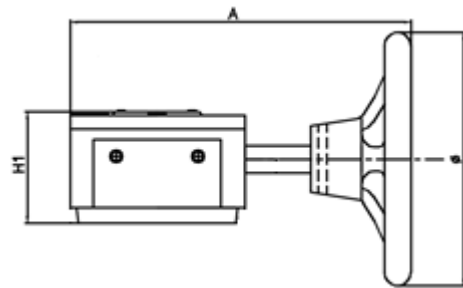
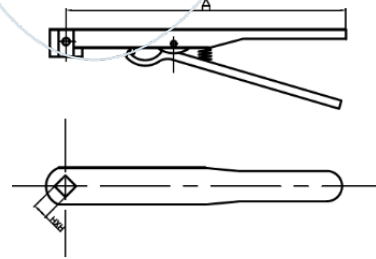
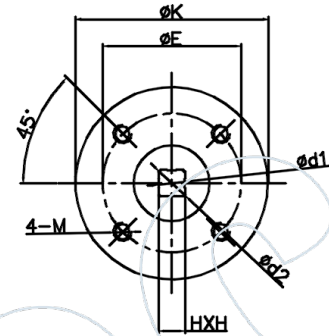
DN	Length	Height
(MM)	(MM)	(MM)
50-100	260	28
125-150	260	28
200	360	35

Wormgear operated

DN	Length	Height	Dia
(MM)	(MM)	(MM)	(MM)
50-150	205	71	147
200-250	290	82	292
300	295	82	292

Torque (excl. safety margin)

DN	50	65	80	100	125	150	200	250	300
Nm	13	22	34	56	85	134	268	389	542



All the product information presented on these pages is only indicative and is provided subject to typographical errors, changes and deviations. The buyer cannot derive any rights from this information. The seller excludes any liability for damage resulting from the use of this information.