

BFW-IW-F2



BUTTERFLY VALVE – WAFER TYPE

butterfly valve, wafer type, cast iron fc body, stainless steel stem, stainless steel disc, replaceable viton rubber liner

Technical features

Class PN6/10, JIS 5K/10K, CL 150

Materials

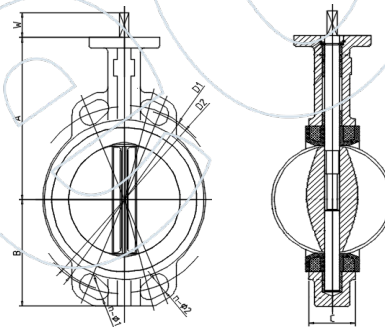
Body Cast Iron
 Stem Stainless Steel
 Disc Stainless Steel
 Seat VITON

Options

- Other materials, (top) flange & stem connections + nominal sizes on request
- Lever, wormgear operator (page 2), electric, pneumatic or hydraulic actuator

Dimensions (may vary)

DN	Length	Height	Undrilled / Suitability			Weight
			(MM)	(MM)	(MM)	
40	33	120	✓	✓	✓	2
50	43	140	✓	✓	✓	5
65	46	150	✓	✓	✓	6
80	46	158	✓	✓	✓	6
100	52	176	✓	✓	✓	7
125	56	190	✓	✓	✓	12
150	56	212	✓	✓	✓	12
200	60	236	✓	✓	✓	15
250	68	265	✓	✓	✓	27
300	78	305	✓	✓	✓	38
350	78	368	✓	✓	✓	53
400	102	400	✓	✓	✓	81
450	114	422	✓	✓	✓	97
500	127	440	✓	✓	✓	115



All the product information presented on these pages is only indicative and is provided subject to typographical errors, changes and deviations. The buyer cannot derive any rights from this information. The seller excludes any liability for damage resulting from the use of this information.

BFW-IW-F2



BUTTERFLY VALVE – WAFER TYPE

butterfly valve, wafer type, cast iron fc body, stainless steel stem, stainless steel disc, replaceable viton rubber liner

Bare Shaft

DN	OD	PCD	Holes	Holes dia	Square	Length
(MM)	(MM)	(MM)	(#)	(MM)	(MM)	(MM)
40	65	50	4	7	9	28
50-100	90	70	4	10	11	28
125-150	90	70	4	10	14	28
200	125	102	4	12	17	35
250	125	102	4	12	22	35
300-350	125	102	4	12	22	22
400-450	175	140	4	18	27	36
500	175	140	4	18	36	36

Lever operated

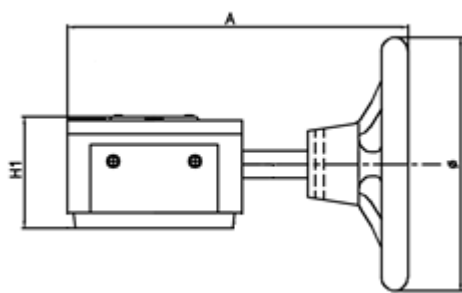
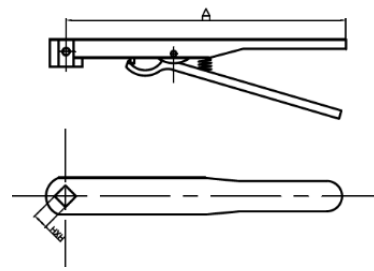
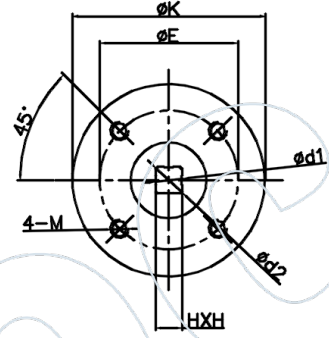
DN	Length	Height
(MM)	(MM)	(MM)
40	260	28
50-100	260	28
125-150	260	28
200	360	35

Wormgear operated

DN	Length	Height	Dia
(MM)	(MM)	(MM)	(MM)
40-150	205	71	147
200-250	290	82	292
300-350	295	82	292
400-450	405	127	380
500	339	105	300

Torque (excl. safety margin)

DN	40	50	65	80	100	125	150	200	250	300	350	400	450	500
Nm	12	13	22	34	56	85	134	268	389	542	1017	1591	1967	2443



All the product information presented on these pages is only indicative and is provided subject to typographical errors, changes and deviations. The buyer cannot derive any rights from this information. The seller excludes any liability for damage resulting from the use of this information.