

PCL-GN

FLEXIBLE PIPE COUPLING



flexible pipe coupling, with stop, galvanised steel rings, nbr rubber seat, with galvanised bolts

Technical features

Flexible Axial expansion or contraction

Materials

Sleeve & stop Galvanised steel

End ring Galvanised steel

Gasket NBR (90°C)

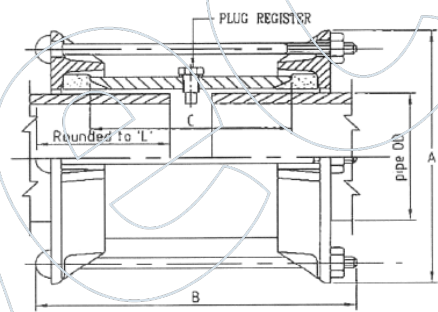
Bolt Galvanised steel

Options

- Other rubber material and nominal sizes on request
- Spare rubber gaskets available
- With DNV-GL and ABS type approval certificate

Dimensions/specifications

NOM. SIZE	PIPE O.D.	RANGE	LENGTH	W.P.	BOLT	TORQUE	WEIGHT
(DN)	(MM)	(MM)	(MM)	(BAR)	(No.x M x L)	(Nm)	(Kg)
50	60.3	+/- 0,8	147	46	2x M12 x 165	50~65	2.5
65	76.1	+/- 0,8	172	46	2x M12 x 165	50~65	2.6
80	88.9	+/- 0,8	172	46	3x M12 x 165	50~65	3.2
100	114.3	+/- 0,8	172	46	3x M12 x 165	50~65	3.3
125	139.7	+ 1,6 - 0,8	175	46	4x M12 x 165	50~65	4.8
150	168.3	+ 1,6 - 0,8	175	37	4x M12 x 230	50~65	8.6
200	219.1	+ 1,6 - 0,8	175	36	6x M12 x 230	50~65	10.9
250	273.1	+ 1,6 - 0,8	175	35	6x M12 x 230	50~65	13.3
300	323.9	+ 1,6 - 0,8	175	35	6x M12 x 230	50~65	15.3
350	355.6	+/- 1,6	239	26	6x M12 x 230	50~65	18
400	406.4	+/- 1,6	239	26	8x M12 x 230	50~65	20
450	457.2	+/- 1,6	239	26	8x M12 x 230	50~65	24
500	508	+/- 1,6	239	26	10x M12 x 230	50~65	25



All the product information presented on these pages is only indicative and is provided subject to typographical errors, changes and deviations. The buyer cannot derive any rights from this information. The seller excludes any liability for damage resulting from the use of this information.